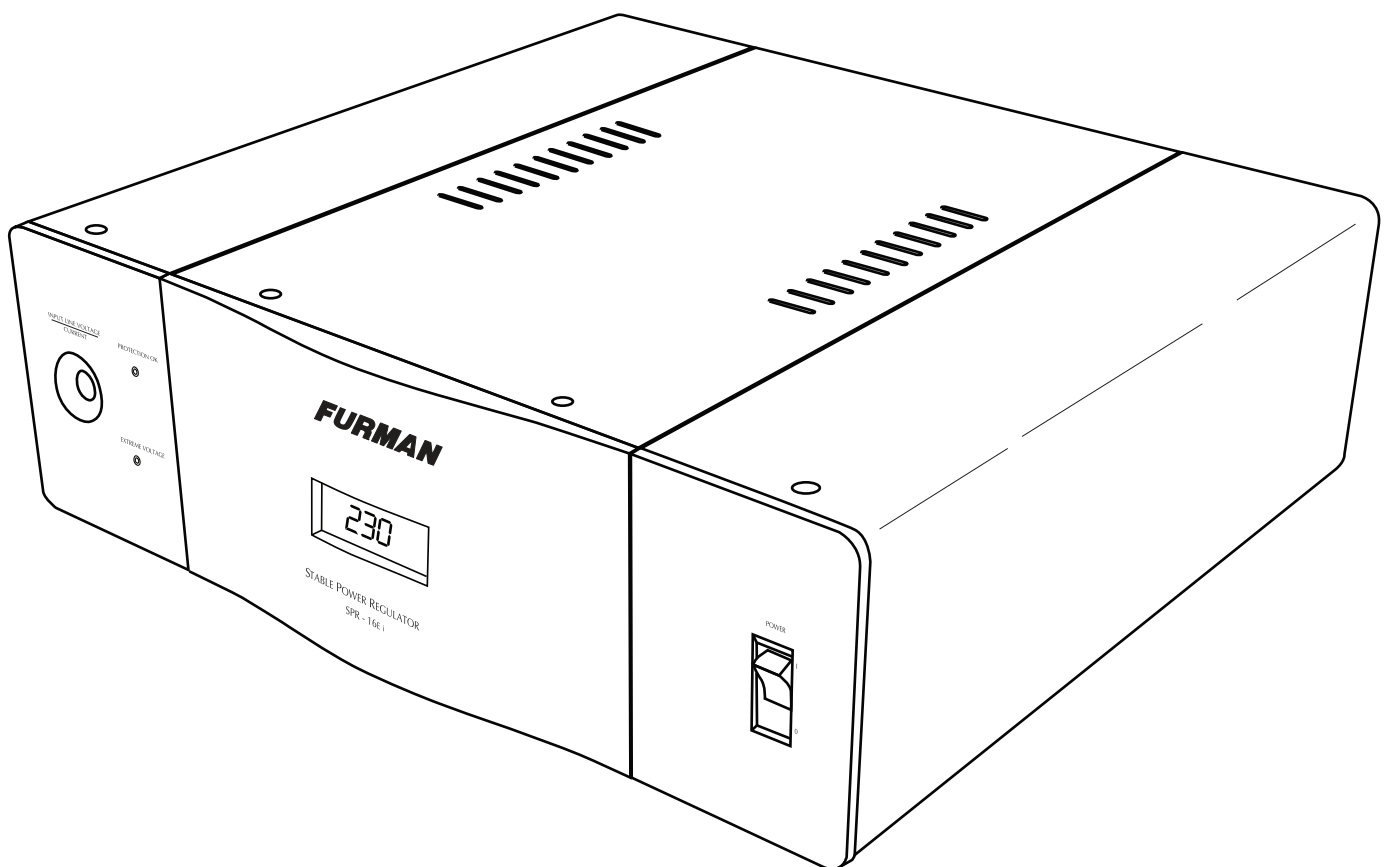


FURMAN

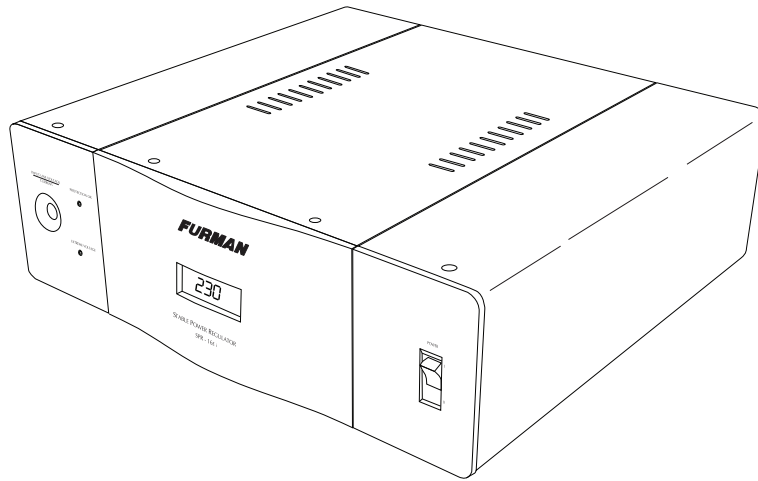
SPR-16E i

STABLE POWER VOLTAGE REGULATOR / POWER CONDITIONER
CONDITIONNEUR D'ALIMENTATION ET RÉGULATEUR DE TENSION STABLE
ESTABLE REGULADOR DE VOLTAJE / ACONDICIONADOR DE POTENCIA



OWNER'S MANUAL
GUIDE DE L'UTILISATEUR
MANUAL DEL PROPIETARIO

FURMAN



ENGLISH
Page 4

SPR-16E i OWNER'S MANUAL

FRANÇAIS
Page 10

SPR-16E i GUIDE DE L'UTILISATEUR

ESPAÑOL
Page 18

SPR-16E i MANUAL DEL PROPIETARIO

SPR-16E i Features

- Provides an ultra-stable 230 VAC supply from excessively low or high AC voltage sources
- Linear Filtering Technology (LiFT) for unequalled audio / video clarity
- Series Multi-Stage Protection (SMP) provides virtually maintenance-free AC surge suppression
- Extreme Voltage Shutdown (EVS) protects against dangerous wiring faults
- Cool running, noise-free technology allows placement in any critical listening environment
- Four pairs of DVR-friendly / HD-ready cable/satellite loop through protectors
- 16 amp RMS capacity

Introduction

For over 33 years, Furman has pioneered the development of AC power products for the most demanding audio, video, and broadcast professionals. Though the need for stable AC power is nothing new, the SPR-16E i's technology and its unique implementation is revolutionary.

The extreme AC demands encountered in the professional audio/video arena have required technological developments far in excess of typical home theater/audiophile power products. In studios, live audio/video, and broadcast facilities, breakdown is unacceptable. Equipment failure or poor performance is costly. The same is true of today's home theater. Our solution-based technology, extensive engineering expertise, and robust build quality have answered the challenge of today's corrupted power lines, and led to the creation of the SPR-16E i.

With today's chaotic demands on many municipal power facilities, AC voltage is often reduced so that it can be stretched to fulfill excess demand. This creates a substantial negative impact on your system's performance. Power amplifiers and powered subwoofers cannot perform to their full potential. Even a relatively modest reduction in AC voltage can obliterate the sonic impact of an otherwise superior system. Just as problematic are excessively high line voltages. Excess voltage can overheat sensitive circuits; lower the life and reliability of projector lamps, and cause many circuits to shut down.

With the SPR-16E i's exclusive Stable Power AC Voltage Regulation Technology, voltage-starved power amplifiers and powered subwoofers perform at their full potential. With the SPR-16E i, home theaters are supplied with constant, virtually unwavering AC voltage. This assures trouble-free service for any environment suffering from unstable power.

The SPR-16E i generates virtually no heat, and produces none of the mechanical noise typical in inferior AC voltage regulators. Further, our zero-crossing solid state technology provides virtually unlimited peak current delivery, avoiding the current limiting found in AC regulators that convert AC power into DC, then synthesizing an AC output signal.

In addition to unstable voltage, today's AC lines are plagued with RF and EMI noise. When connecting sensitive equipment to your home's power outlet, AC noise couples into your system's critical components. This AC noise masks low level signals and cripples performance. This low level content is critical because it relays the crucial harmonics and ambience in audio, as well as the depth and clarity in video. With Furman's exclusive Linear Filtering Technology, televisions, projectors, DVD players, and processors are fed linearly-filtered AC power. This dramatically reduces noise, ensuring consistent peak operation of your critical components regardless of load conditions or the time of the day.

Another critical feature is our exclusive Series Multi-Stage Protection. This virtually maintenance-free surge suppression assures the highest level of AC protection possible, without sacrificing itself when the offending surge is severe – no damaged equipment, no service calls, no down time. Further, our digital AC input voltage, output voltage, and current meters allow precise measurements of both the AC line and the current load. These meters are a valuable asset when monitoring systems that are connected to today's potentially poor power grids, or the meters may be dimmed when monitoring is not required.

When employing the SPR-16E i, you will notice far clearer, stunningly focused sound and visual images from your system. Video presentation will be crisp and colors true with greater gray and black scale definition, as well as noticeably improved depth and clarity. When installed with Furman's IT-Reference 16 i, home theaters will reap the dual benefits of Furman's Stable Power and Discrete Symmetrical AC Filtering, ensuring performance without compromise – without peer.

Installation

Unpacking

Before unpacking your unit, inspect the carton for any obvious severe damage to the box and internal protective materials. If internal damage is likely, contact the carrier who delivered the unit before proceeding with unpacking. If, after unpacking, shipping damage is evident, contact the carrier. Save all shipping and packing materials. You may need them if you should ever have to return the unit to the factory for servicing.

The box should contain the SPR-16E i unit, detachable AC cord, rack mount kit, owner's manual, and warranty registration card. If anything is missing, please contact Furman Customer Service. Fill out and return your warranty registration card. Registration is recommended because it can be used to establish whether the unit is within the warranty period should your original ownership documents be lost, and it assists us in informing you about upgrades or other vital information.

Safety Information - Warnings

Please read and observe all of the safety and operating instructions before the SPR-16E i is operated. Retain these instructions for future reference.

- Do not disassemble or modify in any way. No user-serviceable parts inside.
- Keep away from moisture and avoid excessive humidity.
- Do not allow liquids or foreign objects to enter the unit.

The SPR-16E i should be serviced by qualified service personnel when:

- The power supply cord or plug has been frayed or cut.
- Objects have fallen or liquid has spilled into the unit.
- The SPR-16E i has been exposed to rain or other moisture.
- The SPR-16E i does not appear to operate normally, or exhibits a marked change in performance.
- The SPR-16E i has been dropped, or the enclosure damaged.

The SPR-16E i requires that a safety ground be present for proper operation. Any attempt to operate the SPR-16E i without a safety ground is considered improper operation and will invalidate the warranty.

Power Source

The power source to which the SPR-16E i is connected should be adequate for use at 16 Amps. Though the system may function with a 10 Amp panel circuit breaker, nuisance circuit breaker tripping could result at your service panel. If your system includes multi-channel audio power amplifiers that require more than modest power demands, a circuit breaker with a rating of at least 16 Amps is essential for optimum performance.

Placement

The SPR-16E i is manufactured with four rubber feet for placement on any table, cabinet, shelf, or floor. These rubber feet may be easily removed with a standard Philips screw driver when rack mounting adjacent to other components. Because of the SPR-16E i's internal shielding, placement or proximity to other components is not critical, and the SPR-16E i does not produce any appreciable heat under standard use. The SPR-16E i may also be rack mounted in a standard 19" rack by attaching the SPR-16E i rack ears. These rack ears (contained within the plastic rack kit package) are attached to the chassis by removing the (2) countersunk screws on each forward-side of the chassis top cover. Each rack ear is installed with (3) pan-head Philips screws contained within the SPR-16E i rack mounting kit. The third screw used for each rack ear is for the center hole, located towards the rear and aids in stabilizing the unit when rack mounted.

Connection

AC Cable Routing

Once the SPR-16E i is placed in your system, its AC cord's female end must be plugged into the male IEC connector located on the lower left hand side of the rear panel (when facing the rear panel). Next the male plug must be connected to an appropriate socket (see current rating recommendation above).

Connecting Components to the "Linearly Filtered Outlets - Video" Bank

The SPR-16E i's four "Linearly Filtered Outlets - Video" should be employed for critical video components such as DVD players, projectors, Plasma, or LCD video screens. When employing the SPR-16E i for a 2-channel audio system, a pre-amplifier and or CD player would be ideally suited for these outlets.

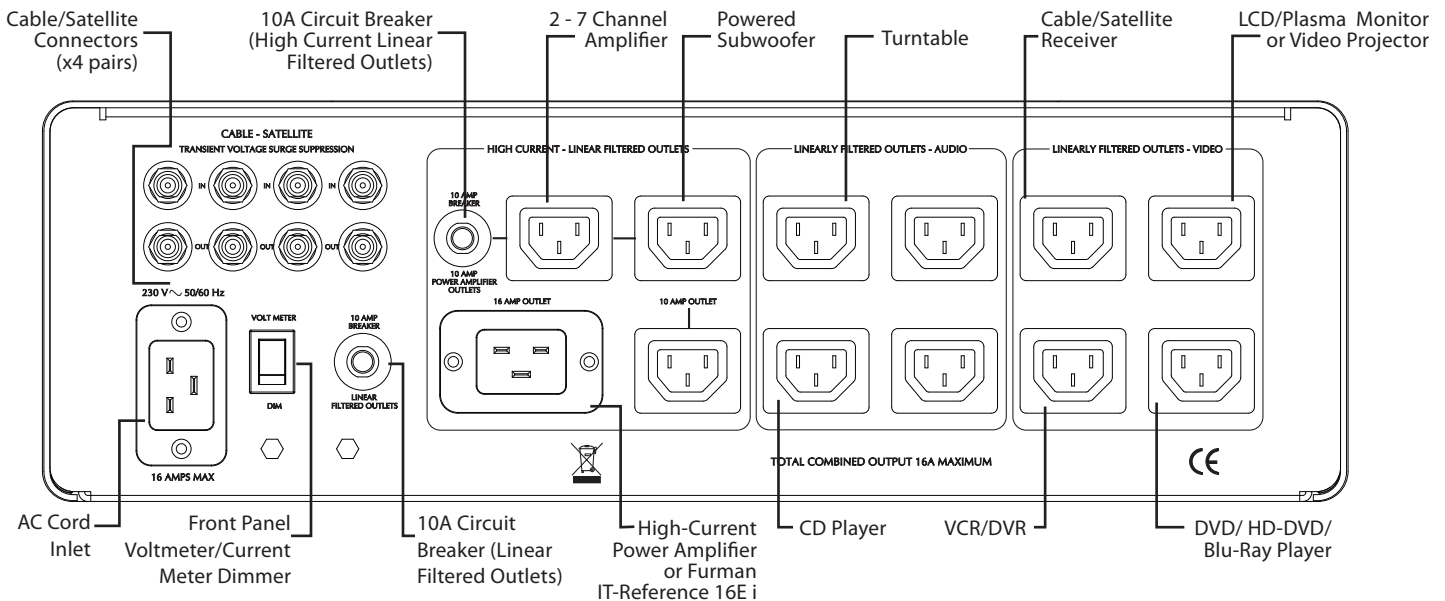
Connecting Components to the "Linearly Filtered Outlets - Audio" Bank

The SPR-16E i's four "Linear Filtering Outlets - Audio" should be employed for any critical audio components such as a CD or SACD player, turntable, or digital media receiver. These outlets still possess incredible AC noise filtering to maximize system performance.

Connecting Components to the "High Current - Linear Filtered Outlet" Banks

The SPR-16E i's high current (16A) outlet possesses the same Linear Filtering Technology as the other 11 outlets, but it can supply 16 amps. This higher current IEC outlet is appropriate for ultra-high current amplifiers requiring more than a 10 amp tap (very rare) or for series connection to the Furman IT-Reference 16E i. The bank's three 10A "Linear Filtering Outlets" should be employed for any components not connected to the Linearly Filtered Video or Linearly Filtered Audio outlet banks.

Rear Panel / Suggested AC Connection



Soft Start - Continuous Use and Break-In Time

When power is first applied to the SPR-16E i, (the front panel breaker- power toggle must be switched to the "on" position) the Soft Start feature is activated. There is an audible "clack" when the SPR-16E i is first turned on or off. This sound is produced by the Soft Start circuit's 30 Amp relay engaging or disengaging. There is virtually nothing in the SPR-16E i's construction, design, or componentry to wear over the life time of the product, and there is no power draw from your electric service meter aside from the LED indicators, volt/current meter, and relay circuits. For this reason the SPR-16E i may be left with its power engaged permanently at a cost of pennies per month. This is an added benefit, as many audio/videophiles find performance improves significantly when leaving low-powered components permanently charged (turned on). In fact, this is true of the SPR-16E i. Though it will function flawlessly right from its shipping carton, the performance of its circuit parts will improve after approximately two weeks of continuous use or "break-in."

AC Transient Voltage Surge Suppression and Extreme Voltage Shutdown

Extreme Voltage Shutdown Indicator

This LED is normally off. It monitors AC wiring faults – for example, accidental connection to an open neutral from a 300VAC or greater feed. When the Extreme Voltage Shutdown (EVS) circuit senses voltages that are so high that operation would be impossible, it shuts the power down before damage can occur. Upon initially applying power to these units, the Extreme Voltage indicator LED will light if the input voltage is above the extreme voltage cutoff, and power will not be applied to the unit's outlets. If the unit has been operating with an acceptable input voltage and subsequently that voltage exceeds 275V, it will shut off power to the outlet and the Extreme Voltage LED will light.

Protection OK Indicator

Although the Furman SMP circuit assures virtually maintenance free protection from transient voltage spikes and surges, nature has a way of occasionally creating electrical forces that are beyond the capabilities of any Transient Voltage Surge Suppression device to absorb without some degree of damage. In the rare instance that this occurs, the blue LED located in the center of the front panel will dim, even though AC power is present at the unit's outputs. If this happens, some level of protection from voltage surges will remain, but the Furman's clamping voltage rating will be compromised. The unit must be returned to Furman Sound, or an authorized Furman Service center for repair.

NOTE: *If the mains power is above the high cutoff voltage and has caused the unit to remove power from its outlets, it cannot restore power without the operator manually turning the unit off, then on again. Avoid turning the unit back on without first checking the source of the problem, and perhaps changing the AC source.*

Cable/Satellite Transient Voltage Surge Suppressors

The SPR-16E i features transient voltage surge suppression for cable or satellite lines utilizing standard coaxial connectors. As these surge suppressors are in-line, they will require an additional cable to connect from their output to the control device requiring protection.

All in-line surge suppressors feature our exclusive ground contamination-free technology. This aids in eliminating audio buzzing, and the video hum-bars that can result from typical in-line suppressors. Further, our cable and satellite suppressors are TiVO®/DVR friendly as well as HD-Digital Television ready. Both DC carrier signals as well as high bandwidth signals can pass through our circuit. In fact the bandwidth is less than 0.1 dB loss at 1GHz!

To connect your cabling to these in-line protectors, simply follow the in and out indications marked next to the Cable - Satellite connectors.

NOTE: *It is not possible to make an in-line cable or satellite protector "maintenance-free" as we have accomplished with the 230 VAC line. This would necessitate limited signal bandwidth that would not allow the signal to pass. Under extreme conditions, it is possible that the surge suppression in one of these devices could sacrifice itself after a catastrophic event. If the cable or satellite signal will no longer pass through our protector, please contact your local service representative, installer or Furman for servicing.*

AC Voltage and Current Meter

Your SPR-16E i contains a true RMS precision incoming AC volt/current meter. This meter continuously monitors either the incoming AC voltage, or the total system AC current draw. To continuously read current or voltage, simply select the setting you wish to monitor by either pressing the voltage/current switch for current, or disengaging the switch for voltage. Since the AC voltage meter indicates incoming voltage, you should not be concerned by readings above or below 230VAC.

NOTE: *For those that mount the SPR-16E i where it could be visible during use, we have included a rear panel mounted dimmer switch for the blue digital voltage and current meter. This allows the user to entirely dim this display when the room lights are turned off for optimum video viewing.*

Warranty

Furman Sound, LLC warrants to the original purchaser of this product, the Furman SPR-16E i, that the product will be free from defects in material and workmanship for a period of five years from the date of purchase. The purchaser of the product is allowed fifteen days from the date of purchase to complete warranty registration by mail or on-line at the Furman website. If the purchaser fails to complete the aforementioned registration, the warranty period will be reduced to one year from the date of purchase.

If the product does not conform to this Limited Warranty during the warranty period (as herein above specified), purchaser shall notify Furman in writing of the claimed defects. If the defects are of such type and nature as to be covered by this warranty, Furman shall authorize the purchaser to return the product to the Furman factory or to an authorized Furman repair location. Warranty claims should be accompanied by a copy of the original purchase invoice showing the purchase date; this is not necessary if the Warranty Registration was completed either by mailing in the completed warranty card or by registering on-line at the Furman website. Shipping charges to the Furman factory or to an authorized repair location must be prepaid by the purchaser of the product. Furman shall, at its own expense, furnish a replacement product or, at Furman's option, repair the defective product. Return shipping charges back to purchaser will be paid by Furman.

CONNECTED EQUIPMENT WARRANTY: Furman Sound's Connected Equipment Warranty covers equipment that is damaged by transient voltage (an "Occurrence") while properly connected through the Furman SPR-16E i to a properly wired AC power line with a protective ground in an indoor location. Furman's Connected Equipment Warranty is limited to the amount of the deductible on the Purchaser's personal property insurance policy up to \$500.00. In order to make a claim for this Connected Equipment Warranty, the Purchaser must forward a copy of his/her personal property insurance claim for the damaged equipment to Furman and complete the Furman Connected Equipment Warranty claim form (call Furman at (877) 486-4738 to obtain the form). Furman reserves the right to review the damaged Furman product, the damaged connected equipment, and the site where the damage occurred. All cost of shipping damaged equipment to Furman for inspection shall be borne solely by the Purchaser. Damaged equipment must remain available for inspection until the claim is finalized. The Connected Equipment Warranty is also in effect for a period of five years unless the Purchaser does not complete the warranty registration within fifteen days from date of purchase, at which time, the Connected Equipment Warranty period is also reduced to one year from the date of purchase.

All warranties contained herein are null and void if: the Furman Surge Protector in use during the occurrence is not provided to Furman for inspection upon Furman's request at the sole expense of the Purchaser, Furman determines that the Furman Surge Protector has been opened, improperly installed, altered in any way or tampered with, Furman determines that the damage did not result from the Occurrence or that no Occurrence in fact took place or Furman determines that the connected equipment was not used under normal operating conditions or in accordance with Manufacturer's instructions for the connected equipment. All Furman Surge Protectors must be plugged directly into a properly wired AC power line with a protective ground. Three-to-two-prong adapters / AC cords void this warranty. The Furman warranty only protects against damage to properly connected equipment where Furman has determined, at its sole discretion, that the damage resulted from an Occurrence and does not protect against acts of God (other than lightning) such as flood, earthquake, war, terrorism, vandalism, theft, normal-use wear and tear, erosion, depletion, obsolescence, abuse, damage due to low-voltage disturbances (i.e. brownouts or sags), non-authorized program, or system equipment modification or alteration. Do not use this product in anyway with a generator, heater, sump pump, water-related device, life support device, medical device, automobile, motorcycle, or golf-cart battery charger. To be used indoors only and in dry areas. All warranties contained herein are null and void if used in anyway with any of the aforementioned devices.

THE FOREGOING IS IN LIEU OF ALL OTHER WARRANTIES, EXPRESS OR IMPLIED, INCLUDING BUT NOT LIMITED TO THE IMPLIED WARRANTIES OF MERCHANTABILITY AND FITNESS FOR A PARTICULAR PURPOSE. Furman does not warrant against damages or defects arising out of improper or abnormal use or handling of the product; against defects or damages arising from improper installation, against defects in products or components not manufactured by Furman, or against damages resulting from such non-Furman made products or components. This warranty shall be cancelable by Furman at its sole discretion if the product is modified in any way without written authorization from Furman. This warranty also does not apply to products upon which repairs have been affected or attempted by persons other than pursuant to written authorization by Furman.

THIS WARRANTY IS EXCLUSIVE. The sole and exclusive obligation of Furman shall be to repair or replace the defective product in the manner and for the period provided above. Furman shall not have any other obligation with respect to this product or any part thereof, whether based on contract, tort, strict liability, or otherwise. Under no circumstances, whether based on this Limited Warranty or otherwise, shall Furman be liable for incidental, special, or consequential damages. Furman's employees or representatives' ORAL OR OTHER WRITTEN STATEMENTS DO NOT CONSTITUTE WARRANTIES, shall not be relied upon by purchaser, and are not a part of the contract for sale or this limited warranty. This Limited Warranty states the entire obligation of Furman with respect to the product. If any part of this Limited Warranty is determined to be void or illegal, the remainder shall remain in full force and effect.

Warranty claims should be accompanied by a copy of the original purchase invoice showing the date of purchase (if a Warranty Registration Card was mailed in at the time of purchase or if the product was registered on-line, this is not necessary). Before returning any equipment for repair, please be sure it is adequately packed and cushioned against damage in shipment, and that it is insured.

Specifications

AC Current Capacity

Input - 16 Amp capacity required

Output - 16 Amps RMS (15 Amps continuous @ 215VAC)

AC Voltage Regulation

Provides AC regulation for a continuous output of 230VAC ($\pm 5.0V$ typically) with an input voltage range of 213VAC to 245VAC. (The SPR-16E will regulate well beyond 213VAC to 245VAV, but not within $\pm 5.0V$ AC)

Linear Noise Attenuation

Transverse (Differential) Mode

>40 dB from 10Khz. - 100 kHz.

>80 dB from 100Khz. – 1GHz.

(Linear attenuation curve from 0.05 – 100 ohms line impedance)

Outlets

1 (linearly filtered outlet – 16 amp)

7 (linearly filtered outlets)

4 (linearly filtered outlet with additional ultrasonic filtering for video components)

Dimensions

152mm H x 432mm W x 413mm D (Standard 3 RU height without feet)

Transient Voltage Surge Suppression

230 VAC

Series Multi-Stage Protection - Non-sacrificial with zero ground contamination

Telco Cable / Satellite

Less than .1dB line loss

Shutdown Range

>275 VAC (± 5 VAC)

Weight

15.5 kg.

Power Consumption

12 Watts for display and control circuits independent of actual load

Caractéristiques

- Alimentation ultra stable de 230 V c.a. depuis des sources de tension c.a. extrêmement faible ou élevée
- Technologie de filtrage linéaire (LiFT pour Linear Filtering Technology) assurant une clarté du son et de l'image sans précédent
- Circuit de protection à plusieurs étages en série (SMP pour Series Multi-Stage Protection) assurant une suppression des surtensions c.a. sans entretien
- Technologie qui assure un fonctionnement silencieux et sans dégagement de chaleur permettant une installation dans tout environnement d'écoute critique
- Trois modules bidirectionnels et prêts pour la haute définition assurant la suppression des surtensions pour les lignes coaxiales
- Capacité de courant en continu de 16 Ampères avec crête de 60 A assurant aux amplificateurs de puissance l'alimentation dont ils ont besoin sans la compression de courant propre à la plupart des régulateurs c.a.

Introduction

Depuis plus de 33 ans, Furman ne cesse d'innover en matière de produits de conditionnement d'alimentation c.a. destinés aux professionnels les plus exigeants œuvrant dans les domaines de l'audio, de la vidéo et de la radiodiffusion. Bien que le besoin pour une alimentation c.a. stable n'ait rien de nouveau, la technologie de l'unité SPR-16E i et sa mise en œuvre unique sont révolutionnaires.

Les besoins importants en alimentation c.a. qu'exige le matériel audio-vidéo professionnel ont conduit à des développements technologiques beaucoup plus poussés que ceux applicables aux produits d'alimentation types de cinéma-maison et d'audiophile. Pour les studios, les installations de sonorisation et de radiodiffusion, les défaillances sont inacceptables. Les pannes d'équipement et les mauvais rendements sont source de dépenses importantes. Il en est de même pour les cinémas-maison actuels. Notre technologie fondée sur des solutions, notre grande expertise en matière d'ingénierie et notre qualité de fabrication ont surmonté les enjeux que posent les lignes d'alimentation viciées d'aujourd'hui et ont conduit à la création du SPR-16E i.

De nos jours, en raison des demandes complexes que doivent gérer les réseaux de distribution électrique locaux, la tension c.a. est souvent réduite afin de prolonger son utilisation et de répondre aux demandes supplémentaires. Cette situation affecte considérablement le rendement de votre système. Les amplificateurs de puissance et les caissons d'extrêmes graves ne peuvent fournir leur plein potentiel. Aussi faible soit-elle, même la moindre réduction en tension c.a. peut nuire au rendement acoustique de tout système par ailleurs supérieur. Les tensions de secteur excessivement élevées sont tout aussi problématiques. La tension excédentaire peut surchauffer les circuits sensibles, réduire la durée de vie et la fiabilité des lampes de projecteurs, et provoquer l'arrêt de fonctionnement de beaucoup de circuits.

Grâce à la technologie de régulation de tension c.a. et d'alimentation stable exclusive de l'unité SPR-16E i, les amplificateurs de puissance et les caissons d'extrêmes graves gourmands en énergie fournissent leur plein potentiel. Avec l'unité SPR-16E i, les systèmes de cinéma maison reçoivent une tension c.a. constante et pratiquement linéaire. Les environnements aux prises avec une alimentation instable profitent ainsi d'un fonctionnement sans tracas.

L'unité SPR-16E i ne génère pratiquement aucune chaleur et ne produit aucun bruit mécanique typiques aux régulateurs c.a. de moindre qualité. De plus, notre technologie à semi-conducteurs et de passage par zéro assure un débit de courant de crête pratiquement illimité, contrairement aux limitations de courant que procurent les régulateurs c.a. qui convertissent le courant alternatif en courant continu, puis synthétisent un signal de sortie c.a.

En plus de fournir une tension instable, les lignes d'alimentation d'aujourd'hui sont affectées par les interférences électromagnétiques et les radiofréquences. Lorsque vous connectez de l'équipement sensible aux prises de courant de votre domicile, le bruit c.a. atteint les composants essentiels de votre système de manière à masquer les signaux de faible intensité et à détériorer le rendement. Ces signaux sont importants car ils transmettent les harmoniques essentielles et l'ambiance au niveau du son, ainsi que la profondeur et la netteté au niveau de l'image. Grâce à la technologie de filtrage linéaire exclusive à Furman, les téléviseurs, les projecteurs, les lecteurs DVD et les processeurs reçoivent une alimentation c.a. filtrée de façon linéaire. Cette technologie contribue à réduire considérablement le bruit tout en assurant le fonctionnement supérieur et stable de vos

composants essentiels peu importe les conditions de charge ou le moment de la journée.

Une autre caractéristique importante est notre protection à plusieurs étages en série (Series Multi-Stage Protection) exclusive. Cette protection pratiquement sans entretien contre les surtensions assure le niveau de protection c.a. le plus élevé qui soit. Elle est non sacrificielle advenant une surtension sévère – aucun équipement endommagé, aucun appel de service, aucune interruption. De plus, nos indicateurs numériques de tension d'entrée c.a., de tension de sortie et de courant assurent des mesures précises autant au niveau de la ligne c.a. que de la charge en courant. Ces indicateurs constituent un avantage de valeur pour contrôler les systèmes qui sont connectés aux réseaux de distribution potentiellement faibles d'aujourd'hui, et il est possible de réduire l'intensité des affichages si le contrôle des systèmes n'est pas nécessaire.

Lorsque vous utiliserez le SPR-16E i, vous constaterez immédiatement que votre système offre un son et des images beaucoup plus clairs et beaucoup plus précis. Vos présentations vidéo seront plus nettes et leurs couleurs plus réalistes grâce à une meilleure définition des niveaux de gris et de noir, et elles présenteront une profondeur et une clarté grandement améliorées. Grâce à l'unité SPR-16E i, les systèmes de cinéma maison profiteront des avantages en termes de filtrage c.a., d'alimentation discrète symétrique et d'alimentation stable de Furman qui assurent une performance sans compromis et inégalée.

Installation

Déballage

Avant d'ouvrir l'emballage de votre unité, inspectez ce dernier de façon à repérer tout dommage évident et important ayant été causé à la boîte et aux matériaux de protection internes. S'il s'avère évident que le contenu de la boîte a été endommagé, contactez le transporteur qui a livré l'unité avant d'ouvrir l'emballage. Si, après avoir ouvert l'emballage, vous constatez que des dommages sont survenus en cours de transport, contactez le transporteur. Conservez tous les matériaux d'emballage et d'expédition. Vous en aurez besoin dans l'éventualité d'un retour de l'unité à l'usine aux fins de réparation.

La boîte devrait contenir l'unité SPR-16E i, un cordon c.a. amovible, un ensemble de montage en bâti, un guide d'utilisation et une fiche d'enregistrement et de garantie. S'il manque un de ces éléments, veuillez contacter le service à la clientèle de Furman. Complétez et retournez votre fiche d'enregistrement et de garantie ou enregistrez le produit en ligne à l'adresse www.FurmanSound.com. L'enregistrement est recommandé et nous permet de déterminer si l'unité est sous garantie dans l'éventualité de la perte de vos documents de propriété originaux, en plus de nous permettre de vous informer des mises à niveau ou de vous transmettre d'autres renseignements importants. En outre, l'enregistrement du produit prolonge votre garantie d'un an à cinq ans.

Information sur la sécurité et avertissements

Veuillez lire et appliquer toutes les consignes de sécurité et d'utilisation avant d'installer votre SPR-16E i. Conservez ce guide aux fins de référence ultérieure.

- Il est interdit de démonter ou de modifier l'unité par quelque moyen que ce soit. Cette unité ne renferme aucune pièce remplaçable par l'utilisateur.
- Vous devez conserver l'unité dans un endroit sec et la protéger contre l'humidité excessive.
- Vous devez prévenir la pénétration de liquides ou de corps étrangers dans l'unité. Les équipements d'éclairage domestiques ne doivent pas être reliés au SPR-16E i car leurs douilles ne sont pas compatibles avec l'alimentation symétrique et peuvent, par conséquent, présenter un risque de choc électrique. Nous recommandons de connecter seulement des équipements informatiques, audio et vidéos à l'unité SPR-16E i.

Votre SPR-16E i devrait être réparé par un technicien de service qualifié dans les cas suivants :

- Le cordon d'alimentation ou la fiche a été effilochée, déformée ou coupée.
- Un corps étranger ou un liquide a pénétré à l'intérieur de l'unité.
- L'unité SPR-16E i a été exposée à la pluie ou à l'humidité.
- L'unité SPR-16E i semble ne pas fonctionner normalement ou sa performance s'est dégradée.
- L'unité SPR-16E i est tombée ou le boîtier est endommagé.

L'unité SPR-16E i nécessite une prise de terre de sécurité pour assurer une utilisation adéquate. Toute tentative visant à faire

fonctionner l'unité sans prise de terre de sécurité sera considérée comme étant une utilisation inappropriée et pourra entraîner l'annulation de la garantie.

Source d'alimentation

La source d'alimentation à laquelle est reliée l'unité SPR-16E i doit être adéquate de façon à assurer un fonctionnement à 16 A. Bien que l'unité puisse fonctionner au moyen d'une prise de courant de 10 A, des déclenchements nuisibles au niveau du panneau à disjoncteurs peuvent se produire. Si votre système comprend des amplificateurs de puissance audio multi-canaux nécessitant une puissance plus importante, un disjoncteur calibré à au moins 16 A est essentiel pour assurer une performance optimale.

Montage

L'unité SPR-16E i est dotée de quatre pieds en caoutchouc de manière à permettre une installation sur tout type de table, d'armoire, d'étagère ou de plancher. Ces pieds sont faciles à retirer au moyen d'un tournevis Philips standard pour assurer le montage en bâti à côté d'autres composants. En raison du blindage interne de l'unité SPR-16E i, son installation à proximité d'autres composants est sans danger. En outre, l'unité SPR-16E i ne produit aucune chaleur appréciable sous des conditions normales d'utilisation et elle peut être montée en bâti dans une baie standard de 19 po en utilisant les équerres de montage en bâti. Ces équerres de montage (incluses dans l'emballage en plastique d'ensemble de montage) sont montées à fleur à l'arrière de la surface du panneau avant de l'unité SPR-16E i. Elles se fixent au châssis en retirant les deux (2) vis à tête fraisée plate situées dans les coins avant du panneau supérieur. L'installation de chaque équerre de montage exige trois (3) vis Philips à tête cylindrique bombée incluses dans l'ensemble de montage de l'unité SPR-16E i. La troisième vis utilisée pour chaque équerre de montage s'installe dans le trou central situé vers l'arrière et stabilise l'unité une fois montée en bâti.

Connexion

Acheminement du câble c.a.

Une fois l'unité SPR-16E i installée, l'extrémité femelle de son cordon d'alimentation doit être reliée au connecteur IEC mâle situé sur le côté gauche du panneau arrière (si vous faites face au panneau arrière). Ensuite, la fiche Edison mâle doit être reliée à une prise appropriée (se reporter aux recommandations susmentionnées sur le courant nominal).

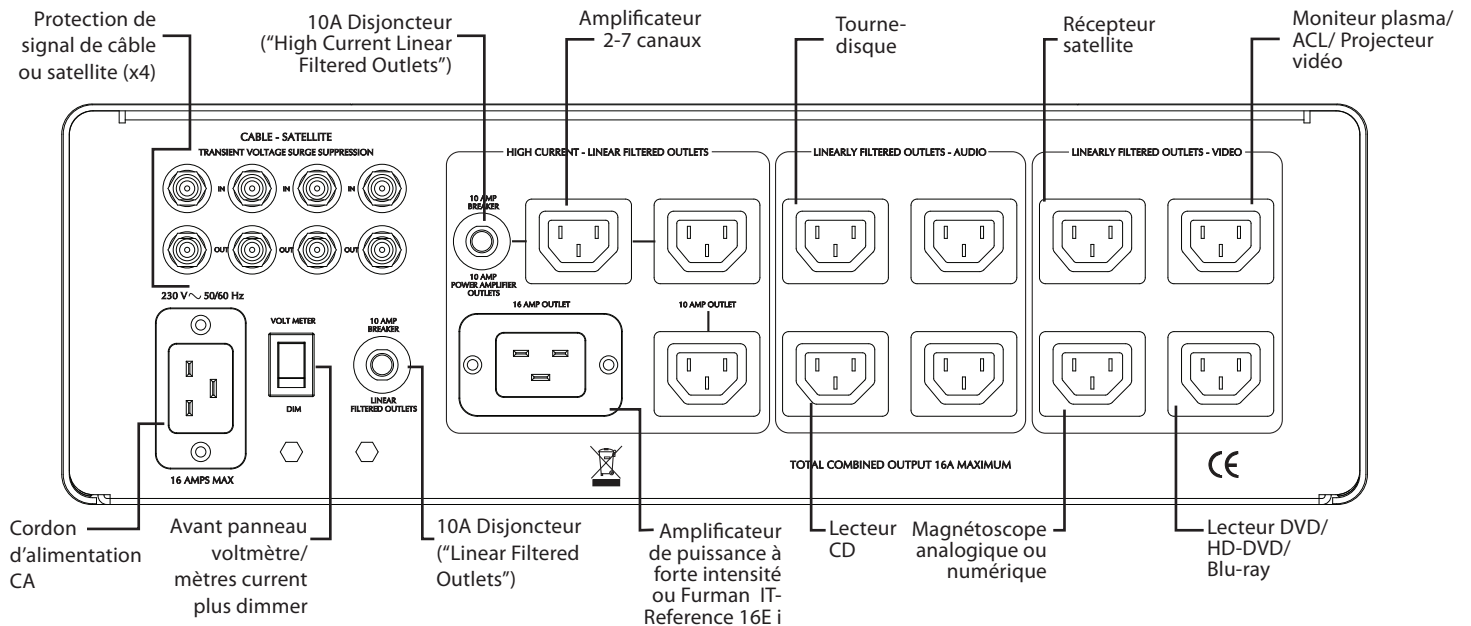
Branchement de composants sur les prises d'alimentation symétrique

Les quatre prises c.a. pour composants numériques – vidéo "Digital - Video Component AC Outlets" de l'unité SPR-16E i devraient être utilisées pour les composants vidéo critiques tels que les lecteurs DVD, les projecteurs, les écrans plasma ou les écrans vidéo ACL. Dans le cas d'un système audio bicanal comprenant l'unité SPR-16E i, ces prises conviennent parfaitement au préamplificateur et (ou) au lecteur CD.

Branchement de composants sur les prises avec technologie à filtrage linéaire

Les huit prises du panneau arrière et la prise du panneau avant avec technologie de filtrage linéaire de l'unité SPR-16E i doivent être utilisées pour tout composant non branché sur les quatre prises c.a. pour composants numériques – vidéo. Ces prises offrent tout de même un filtrage c.a. exceptionnel de manière à maximiser la performance du système tout en réduisant considérablement le bruit c.a.

Raccordement suggéré



Mise sous tension sans appel de courant (Soft Start) – Utilisation continue et temps de fonctionnement

À la mise sous tension de l'unité SPR-16E i (l'interrupteur d'alimentation du panneau avant doit être en position On), la fonction Soft Start est activée. Vous entendrez un claquement à la première mise sous ou hors tension de l'unité SPR-16E i. Ce bruit est produit par l'engagement ou le désengagement du relais de 30 A du circuit de mise sous tension sans appel de courant. Pratiquement aucun élément au niveau de la construction, de la conception ou des composants de l'unité SPR-16E i ne s'usera au cours de la durée de vie du produit, et il n'y a aucun appel de courant important depuis votre compteur électrique, à l'exception de celui de l'indicateur d'alimentation à DEL et des circuits de relais. Pour ces raisons, l'unité SPR-16E i peut demeurer sous tension de façon permanente à un coût mensuel minime. Il s'agit d'un avantage supplémentaire puisque beaucoup d'audiophiles et de vidéophiles constatent une amélioration considérable au niveau de la performance lorsque les composants de faible puissance sont allumés (sous tension) de façon permanente. En fait, cela est vrai dans le cas de l'unité SPR-16E i. Bien que le produit fonctionne parfaitement au sortir de la boîte, la performance des différents circuits s'améliorera après environ deux semaines d'utilisation continue ou de fonctionnement.

Suppression de surtension transitoire pour lignes c.a. et arrêt an cas d'extrême tension

Indicateur d'arrêt an cas d'extrême tension Extrême Voltage

L'indicateur d'arrêt an cas d'extrême tension est normalement éteint. Il détecte les défauts de câblage c.a. – par exemple, la connexion accidentelle à un fil neutre d'une source de 208 ou 240 V c.a. (cette situation survient fréquemment lorsque la prise c.a. source n'est pas une ligne dédiée, et qu'elle a plutôt été reliée à un fil neutre connecté en série à partir d'une boîte de disjoncteurs domestique). Le circuit EVS (Extreme Voltage Shutdown) détecte les tensions suffisamment élevées pouvant empêcher le fonctionnement et coupe l'alimentation avant que ne surviennent d'éventuels dommages. À la mise sous tension de ces unités, l'indicateur DEL d'arrêt an cas d'extrême tension s'allumera si la tension d'entrée excède le seuil de tension extrême, et les prises de l'unité ne seront plus alimentées. Si l'unité fonctionne avec une tension d'entrée acceptable et que la tension excède par la suite 140 V, il coupera l'alimentation de la prise et l'indicateur DEL d'arrêt an cas d'extrême tension s'allumera.

Indicateur Protection OK

Bien que le circuit SMP de Furman assure une protection pratiquement sans entretien contre les surtensions transitoires, la nature peut parfois créer des charges électriques qui dépassent les capacités de tout appareil avec suppression des surtensions transitoires à les absorber sans entraîner certains dommages. Dans ce cas très rare, l'indicateur bleu situé au milieu du panneau avant s'éteindra, même en présence de courant c.a. au niveau des prises de l'unité. Dans ce cas, un certain niveau de protection contre les surtensions subsiste, mais le facteur de blocage de l'unité sera compromis. L'unité doit être

retournée chez Furman Sound ou à un centre de réparation autorisé de Furman.

REMARQUE : si l'alimentation secteur est supérieure à la tension de blocage de façon à ce que l'unité coupe l'alimentation de ses prises, cette dernière ne peut être rétablie avant que l'utilisateur ne mette manuellement l'unité hors tension, puis sous tension de nouveau. Vous devez éviter de mettre l'unité sous tension sans avoir préalablement vérifié la source du problème et aussi changé la source c.a., le cas échéant.

Suppresseurs de surtension transitoire pour signaux numériques par satellite et câblodistribution

L'unité SPR-16E i assure une suppression de surtension transitoire autant pour les lignes coaxiales de câblodistribution et les lignes de signaux numériques par satellite utilisant des connecteurs coaxiaux standard. Comme ces supresseurs de surtension fonctionnent en ligne (in-line), ils requièrent un câble additionnel pour relier leur sortie aux équipements nécessitant une protection.

Tous les supresseurs de surtension en ligne de l'unité sont dotés de notre technologie exclusive prévenant la contamination par la terre. Cette dernière permet d'éliminer les bourdonnements au niveau audio et les barres parasites au niveau vidéo qui sont produits par les supresseurs en ligne conventionnels. De plus, nos supresseurs pour lignes coaxiales de câblodistribution et satellite sont compatibles avec les systèmes d'enregistrement sur disque dur (TIVO®) et DVR et sont prêts pour la télévision haute définition numérique. Autant les signaux de porteuse que les signaux en bande large sont pris en charge par notre circuit. En fait, la perte au niveau de la bande passante est de moins de 0,1 dB à 1 GHz!

Pour brancher vos câbles à ces dispositifs de protection en ligne, il vous suffit de suivre les indications in et out indiquées à côté des connecteurs Cable et Satellite.

REMARQUE : il est impossible d'obtenir un circuit de protection en ligne sans entretien pour lignes coaxiales de câblodistribution et lignes de signaux numériques par satellite, comme nous l'avons fait pour la section de 230 V c.a. Cela nécessiterait une largeur de bande réduite ne permettant pas la transmission du signal. Sous des conditions extrêmes, il est possible que la suppression de la surtension d'un de ces dispositifs soit sacrifiée à la suite d'un événement catastrophique. Si les signaux (téléphoniques, coaxiaux ou par satellite) ne sont plus protégés, veuillez contacter le représentant de votre région, votre installateur ou Furman aux fins de réparation. Ces circuits étant modulaires, leur remplacement par un nouveau module TVSS peut être effectué en quelques secondes. Pour tester cette situation, il vous suffit de débrancher le câble avec prises d'entrée et de sortie de l'unité SPR-16E i. Branchez la prise d'entrée sur le composant qui recevait précédemment la prise de sortie de façon à dériver le circuit de protection en ligne. S'il y a présence du signal (alors qu'il n'y en avait pas en utilisant l'unité SPR-16E i), cela signifie que le circuit de protection est endommagé (en supposant qu'il fonctionnait normalement avant l'orage ou l'événement catastrophique).

Indicateur de tension c.a. et de courant

Votre unité SPR-16E i est dotée d'un indicateur de courant/de tension c.a. d'entrée avec précision RMS. Cet indicateur surveille continuellement soit la tension c.a. d'entrée ou le courant total du système. Pour la lecture continue du courant ou de la tension, il vous suffit de sélectionner le paramètre que vous souhaitez surveiller, soit en appuyant sur le bouton tension/courant pour lire le courant ou en le relâchant pour lire la tension. Puisque l'indicateur de tension c.a. présente la tension d'entrée, les résultats supérieurs ou inférieurs à 230 V c.a. ne doivent pas vous alarmer.

REMARQUE : pour les installations où l'unité SPR-16E i serait visible au cours de son utilisation, nous avons inclus sur le panneau arrière une commande d'intensité dédiée à l'indicateur numérique bleu de tension et de courant. L'utilisateur peut ainsi réduire complètement l'intensité de l'affichage lorsque les lumières de la salle sont éteintes de manière à optimiser la visualisation de toute source vidéo.

Garantie

Furman Sound, LLC garantit à l'acheteur original de l'unité Furman SPR-16E i, que ce produit sera exempt de tout défaut de matériel et de fabrication pendant une période de cinq ans à compter de la date d'achat. L'acheteur de ce produit a quinze jours à compter de la date d'achat pour compléter par Internet (sur le site Web de Furman) ou par la poste l'enregistrement dudit produit aux fins de garantie, faute de quoi l'acheteur verra sa période de garantie réduite à un an à compter de la date d'achat.

Advenant que le produit ne fonctionne pas tel que spécifié ci-dessus au cours de la période de garantie limitée, l'acheteur doit informer Furman par écrit des prétendus défauts. Si le type et la nature des défauts sont couverts par la présente garantie, Furman autorisera l'acheteur à retourner le produit à l'usine Furman ou à un centre de réparation autorisé de Furman. Les demandes au titre de la garantie devraient être accompagnées d'une copie de la facture originale indiquant la date d'achat; sauf dans le cas où un Enregistrement de garantie (Warranty Registration) a été complété en postant une fiche de garantie dûment remplie ou en ligne par le biais du site Web Furman. Les frais d'expédition à l'usine Furman ou à un centre de réparation autorisé de Furman sont assumés à l'avance par l'acheteur du produit. Furman doit, à ses frais, fournir un produit de remplacement ou, à la discrétion de Furman, réparer le produit défectueux. Les frais d'expédition aux fins de retour à l'acheteur seront assumés par Furman.

GARANTIE COUVRANT L'ÉQUIPEMENT CONNECTÉ : la garantie de Furman Sound concernant l'équipement connecté couvre l'équipement endommagé par la tension transitoire (un « Événement ») alors qu'il est adéquatement connecté par l'entremise du Furman SPR-16E i à une ligne d'alimentation c.a. correctement câblée avec une mise à la terre à l'intérieur d'un lieu. La garantie de Furman Sound couvrant l'équipement connecté est limitée au montant de la franchise prévue à la police d'assurance de biens meubles de l'acheteur jusqu'à concurrence de 500 \$. Pour toute demande au titre de cette garantie couvrant l'équipement connecté, l'acheteur doit envoyer à Furman une copie de sa demande de réclamation au titre de son assurance de biens meubles relativement à l'équipement endommagé et compléter le formulaire de demande au titre de la garantie de Furman couvrant l'équipement connecté (appelez Furman au (707) 763-1010 pour obtenir ce formulaire). Furman se réserve le droit d'examiner le produit Furman endommagé, l'équipement connecté qui a été endommagé et le lieu où les dommages sont survenus. Tous les frais d'expédition d'un équipement endommagé à Furman aux fins d'inspection doivent être assumés par l'acheteur. L'équipement endommagé doit être disponible aux fins d'inspection jusqu'à la fin du traitement de la demande. La garantie de Furman couvrant l'équipement connecté est également valable pour une période de cinq ans à moins que l'acheteur ne complète pas l'enregistrement de garantie dans les quinze jours suivant la date d'achat, délai après lequel la garantie couvrant l'équipement connecté sera réduite à un an à compter de la date d'achat.

Toutes les garanties contenues dans les présentes sont nulles et sans effet si : le limiteur de surtension de Furman en fonction pendant l'événement n'est pas envoyé à Furman (à la charge de l'acheteur) aux fins d'inspection à la demande de Furman; Furman détermine que le limiteur de surtension de Furman a été ouvert, incorrectement installé, modifié de façon quelconque ou trafiqué; Furman détermine que les dommages ne résultent pas de l'Événement ou qu'aucun Événement n'a eu lieu; ou si Furman détermine que l'équipement connecté n'a pas été utilisé sous des conditions normales d'utilisation ou selon les instructions proposées par le fabricant de l'équipement connecté. Tous les limiteurs de surtension de Furman doivent être reliés directement à une ligne d'alimentation c.a. adéquatement câblée. Les adaptateurs à deux et à trois broches et les autres rallonges ne sont pas permis. De telles installations auraient pour effet d'annuler la présente garantie. La garantie de Furman couvre uniquement les dommages causés à l'équipement correctement connecté et qui, à la discrétion de Furman, résultent d'un Événement. Elle ne couvre pas les dommages attribuables à l'un ou l'autre des cas fortuits (autre que la foudre) suivants : inondation, tremblement de terre, guerre, acte de terrorisme, acte de vandalisme, vol, usure normale, usage abusif, mauvais traitement, érosion, déplétion, désuétude, dommages résultant d'une basse tension (c.-à-d. panne de courant localisée ou baisse de tension), programme non autorisé, modification ou altération de l'équipement. En aucun cas vous ne devez utiliser ce produit avec une génératrice, un appareil de chauffage, une pompe de puisard, un appareil dont l'utilisation est liée à l'eau, un appareil de maintien en vie, un appareil médical, un chargeur de batterie pour automobile, motocyclette, ou voiturette de golf. À utiliser à l'intérieur et dans un endroit sec seulement. Toutes les garanties contenues dans les présentes seront nulles et sans effet si le produit est utilisé de quelque façon que ce soit avec tout appareil susmentionné.

CETTE GARANTIE REMPLACE TOUTES LES AUTRES GARANTIES, EXPRESSES OU IMPLICITES, Y COMPRIS MAIS SANS S'Y LIMITER, TOUTES LES GARANTIES IMPLICITES DE COMMERCIALISÉ ET DE CONFORMITÉ A UN USAGE PARTICULIER. La garantie de Furman ne couvre pas les dommages ou défauts résultant d'un usage ou d'une manipulation inappropriée ou anormale du produit; les dommages ou défauts résultant d'une installation inadéquate; les défauts d'un produit ou de composants non fabriqués par Furman; les dommages résultant de l'utilisation de produits ou de composants non fabriqués par Furman. Furman se réserve le droit d'annuler cette garantie dans l'éventualité où le produit a été modifié de quelque façon que ce soit sans l'autorisation écrite de Furman. De plus, cette garantie ne s'applique pas aux produits qui ont été altérés ou réparés par des personnes autre que celles dont il est fait mention dans l'autorisation écrite de Furman.

CETTE GARANTIE EST EXCLUSIVE. L'obligation exclusive de Furman consiste à réparer ou à remplacer le produit défectueux de la façon et pendant la période susmentionnées. Furman n'a aucune autre obligation relativement à ce produit ou à toute pièce de celui-ci, qu'elle soit basée sur le contrat, la négligence, la responsabilité stricte ou autre. En aucun cas, que ce soit en vertu de cette garantie limitée ou autre, Furman ne sera responsable des dommages consécutifs, spéciaux ou indirects. TOUT ÉNONCÉ ORAL OU ÉCRIT de la part des employés ou des représentants de Furman NE CONSTITUENT PAS UNE GARANTIE, ne doit pas être pris en compte par l'acheteur et ne fait pas partie du contrat de vente ou de cette garantie limitée. Cette garantie limitée expose l'intégralité de l'obligation de Furman relativement au produit. Si une partie de cette garantie limitée est jugée nulle ou illégale, le reste demeure en vigueur.

Les demandes en vertu de la garantie devraient être accompagnées d'une copie de la facture originale indiquant la date d'achat; sauf dans le cas où un Enregistrement de garantie (Warranty Registration) a été complété en postant une fiche de garantie à la suite de l'achat ou le produit a été enregistré en ligne. Avant de retourner tout équipement aux fins de réparation, veuillez vous assurer qu'il est adéquatement emballé et protégé contre les dommages pouvant survenir en cours de transport, et qu'il est assuré.

Le texte original anglais de couverture de garantie servira en cas de litige.

Spécifications

Capacité de courant c.a.

Entrée : intensité de 16 Ampères requise

Sortie : intensité efficace de 16 A (19 A en continu @ 215 V c.a.)

Régulation de tension c.a.

Assure une régulation c.a. pour une tension continue de 230 V c.a. (à ± 5 V type) avec une plage de tension d'entrée variant de 213 à 245 V c.a.

(L'unité SPR-16E i offre une régulation excédant la plage de 213 à 245 V c.a., mais sans incréments de 5 V c.a.)

Atténuation du bruit

Mode transversal (différentiel)

>40 dB de 10 kHz à 100 kHz;

>80 dB de 100 kHz à 1 GHz.

(Courbe d'atténuation linéaire avec impédance de ligne de 0,05 à 100 ohms)

Prises

1 (prises avec technologie de filtrage linéaire 16A)

7 (prises avec technologie de filtrage linéaire)

4 (prises avec technologie de filtrage linéaire et filtrage ultrasonore additionnel pour les composants numériques ou vidéo)

Dimensions (H x L x P)

152mm H x 432mm L x 413mm P (format 3U standard sans les pieds)

Suppression de surtension transitoire

Ligne 230 V c.a.

Protection à plusieurs étages en série - non sacrificiel avec contamination nulle par la terre

Câble / Satellite

Perte de moins de 0,1 dB au niveau de la ligne

Plage de tension d'arrêt

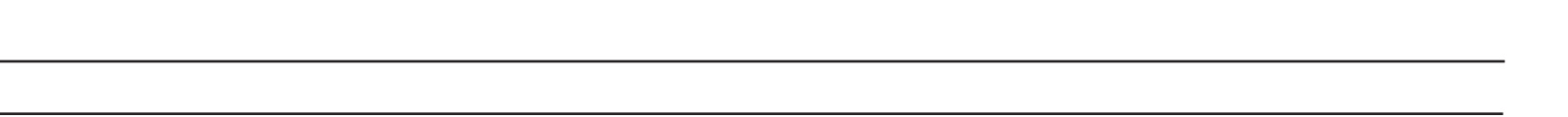
>275 V c.a. (± 5 V c.a.)

Poids

15.5 kg

Consommation d'énergie

12 W pour l'affichage et les circuits de commande indépendamment de la charge réelle



Características

- Provee un suministro de 230 VAC desde fuentes sumamente estables altas o bajas
- Tecnología de filtrado lineal para una claridad incomparable de audio y video
- Protección en serie de multi etapas (SMP) para una protección contra picos de voltaje libre de mantenimiento
- Tecnología que funciona sin calentarse, libre de ruidos, permitiéndole colocarlo en ambientes especiales para ruido
- Tres módulos supresores coaxiales bidireccionales de alta definición
- 16 amperios RMS capacidad

Introducción

Por más de 33 años, Furman se ha caracterizado por ser pioneros y profesionales exigentes en el desarrollo de los más demandados productos de protección de CA para audio y video. La necesidad de protección para corriente alterna no es nada nuevo, y la experiencia de la tecnología SPR-16E i la hace sin duda alguna única y revolucionaria en el mercado.

Las peticiones extremas de CA encontradas en el área del audio y video profesional han requerido progresos tecnológicos altos en comparación con los productos caseros típicos de la energía de teatro y audio video. En estudios, audio y video en vivo, e instalaciones de la difusión, donde la interrupción es inaceptable. La falta de equipo o la degradación de las prestaciones son costosas. Al igual que el teatro casero de hoy. Nuestra solución basada en tecnología, maestría extensa de la ingeniería, y calidad robusta de la estructura han contestado al desafío de las corrompidas líneas de energía actuales, y han conducido a la creación de las líneas de la CA del SPR-16 E i.

Con la extrema demanda en las diferentes áreas que facilitan energía, la CA es siempre reducida lo que hace que no se cubra la cantidad requerida. Esto da origen a un impacto negativo en el desenvolvimiento del sistema y que los amplificadores y sub-woofers no puedan trabajar correctamente. Hasta la mas miniada reducción de energía en la CA altera el impacto sonico en un sistema superior; igual de problemático puede resultar un alto voltaje. El exceso de voltaje puede sobrecalentar los circuitos sensibles; y con ello reducir el tiempo de vida de la lámpara del proyector y causar que varios circuitos se apaguen.

Con la tecnología reguladora de voltaje del SPR-16E i, los amplificadores y los sub-woofers muestran su capacidad al máximo. Con el SPR-16E i, los teatros en casa son previstos con un constate en la CA. Esto asegura el servicio sin problemas para cualquier ambiente que sufre de energía inestable.

El SPR-16E i no genera modo de calor virtual, y no produce ningún ruido mecánico típico en reguladores inferiores del voltaje de CA. Además, nuestra tecnología de sólido estado de la proporciona corriente máxima virtualmente ilimitada, evitando las limitaciones actuales encontradas en los reguladores de la CA que convierten la corriente ALTERNA en la C.C., sintetizando una señal de salida de la CA.

Además de voltaje inestable, las líneas de CA actuales se plagan con ruido del RF y de la EMI. Cuando conecta su equipo a su enchufe de energía casero, el ruido que aparece en la CA altera críticamente el funcionamiento del mismo. Este ruido de la CA enmascara señales del nivel bajo y lisa el funcionamiento. Este bajo nivel es crítico porque retransmite los armónicos en audio, así como la profundidad y la claridad en vídeo. Con la tecnología de filtración lineal exclusiva de Furman, el funcionamiento de televisiones, proyectores, DVD, procesadores CA se mantienen en su máxima expresión. Esto reduce dramáticamente el ruido, asegurando la operación constante de sus componentes sin importar condiciones de sobre carga o la época del día.

Otra característica es nuestra Protección en Serie de Multi Etapas (SMTP). Esta supresión virtualmente sin necesidad de mantenimiento de la oleada asegura el más alto nivel de protección de la CA, sin sacrificarse cuando la oleada es severa - ningún equipo dañado, ningunas llamadas de servicio. Además, nuestro voltaje de entrada digital de la CA, voltaje de la salida, y metros actuales permiten medidas exactas de la línea de la CA y de la carga actual. Estos metros son un activo valioso cuando los sistemas de supervisión que están conectados con las rejillas potencialmente bajos, o los metros pueden ser amortiguados cuando la supervisión no se requiere.

Al emplear el SPR-16E i usted podrá darse cuenta inmediatamente de la claridad, sonido espectacular y unas excelentes imágenes desde su sistema. La definición del video será resplandeciente a color con una verdadera escala de grises. Cuando es instalado con el IT-REF 16E i, los teatros en casa se beneficiaran de de ambas ventajas de la energía discreta simétrica de Furman

en líneas de CA, asegurando sin duda alguna un excelente funcionamiento.

Instalación

Desempaque

Antes de desempacar su unidad, examine el cartón para saber si hay cualquier daño severo obvio en la caja y a los materiales internos. Si hay algún daño interno, entre en contacto con la persona que entregó la unidad antes de proceder con el desempaque. Si después de desempacar, los daños de la unidad son evidentes, entre en contacto con el portador y conserve los materiales del envío y de desempaque. Usted podría necesitarlos si tiene que devolver la unidad a la fábrica que le brindó el servicio.

La caja contiene el SPR-16E i el cable desmontable del CA, el juego del montaje del rack, su manual, y la tarjeta del registro de la garantía. Si cualquier cosa de lo mencionado faltara, por favor entre en contacto con servicio al cliente de Furman. Llene y devuelva su tarjeta del registro de la garantía. Se recomienda el registro de garantía porque puede ser utilizado para establecer que la unidad está dentro del período de la misma, ya que si se pierden sus documentos originales de la propiedad o unidad, nos comprometemos a informarle sobre las mejoras u otra información vital para su uso.

Información de seguridad – Advertencias

Por favor leer y observar todas las instrucciones de seguridad y de funcionamiento antes de que utilice el SPR-16 E i. Conserve estas instrucciones para avocarse a ellas en un futuro.

- No desmontar ni modificar de cualquier manera. Ninguna parte dentro es inservible.
- Mantener lejos de la humedad y evite la humedad excesiva.
- No permitir líquidos u objetos extraños dentro del equipo.

El SPR-16E i debe mantener un servicio personal calificado cuando:

- El cable de la fuente de alimentación o enchufe ha sido cortado o rasgado.
- Si los objetos han caído o salpicado dentro de la unidad.
- Si el SPR-16E i se ha expuesto a la lluvia o humedad.
- Si el SPR-16E i no parece funcionar normalmente, o expuesto a un cambio marcado en su funcionamiento.
- Si el SPR-16E i, se ha caído o dañado.

El SPR-16E i requiere de una conexión de tierra adecuada. Cualquier accidente que pueda atentar contra la vida del SPR-16E i sin conexión adecuada de tierra se concederá inapropiado e invalidará la garantía.

Fuente de Energía

La fuente de energía con la cual el SPR-16E i está conectado debe ser adecuada para el uso en 16 amperios. Aunque el sistema puede funcionar con un interruptor del panel de 10 amperios, el disparar del interruptor podría crear daños en su panel de servicio. Si su sistema incluye los amplificadores de energía audio de varios canales que requieren demandas más que modestas de energía, un interruptor con un grado menor de 16 amperios es esencial para el funcionamiento óptimo.

Colocación

El SPR-16E i se fabrica con cuatro pies de goma para la colocación en cualquier tabla, gabinete, estante, o suelo capaz de aguantar un peso de 53lbs. Estos pies de goma se pueden quitar fácilmente con un destornillador estándar Philips cuando el estante está adyacente a otros componentes. Debido al blindado interno del SPR-16E i, la colocación o la proximidad a otros componentes no es crítica, y el SPR-16E i no produce ningún calentamiento bajo a su uso normal. El SPR-16E i puede también ser montado en un estante estándar del 19" uniéndolo al agarrador del SPR16. Estos agarradores del estante (contenidos dentro del kit plástico del paquete) se montan en la parte trasera de panel delantero del SPR-16E i. Están unidos al chasis quitando (2) tornillos avellanados en cada parte delantera de la cubierta superior del chasis. Cada agarrador del estante está instalado con (3) tornillos Philips de la parte superior contenidos dentro del kit del montaje del SPR-16E i. El tercer tornillo usado para cada agarrador del estante es para el agujero de centro, localizado en la parte posterior y ayuda en estabilizar la unidad cuando el estante se ha montado.

Conexión

Cableado CA

Cuando se instala el SPR-16E i, el extremo femenino de su cuerda de CA debe conectarse dentro del IEC conector situado en el lado más bajo a mano izquierda del panel trasero (al hacer frente la parte de atrás del panel). El enchufe masculino de Edison debe conectarse después con un zócalo apropiado (véase la recomendación arriba).

Conectando componente al banco de engría simétrica

El SPR-16E i tiene cuatro "enchufes discretos de energía simétrica" se deben emplear simétricamente para los componentes de video tales como DVD, proyectores, plasma, o pantallas del vídeo del LCD. Para estos enchufes es ideal un sistema de SPR-16E i ya que cuenta con 2 canales de audio especiales para un preamplificado y o juego de SACD.

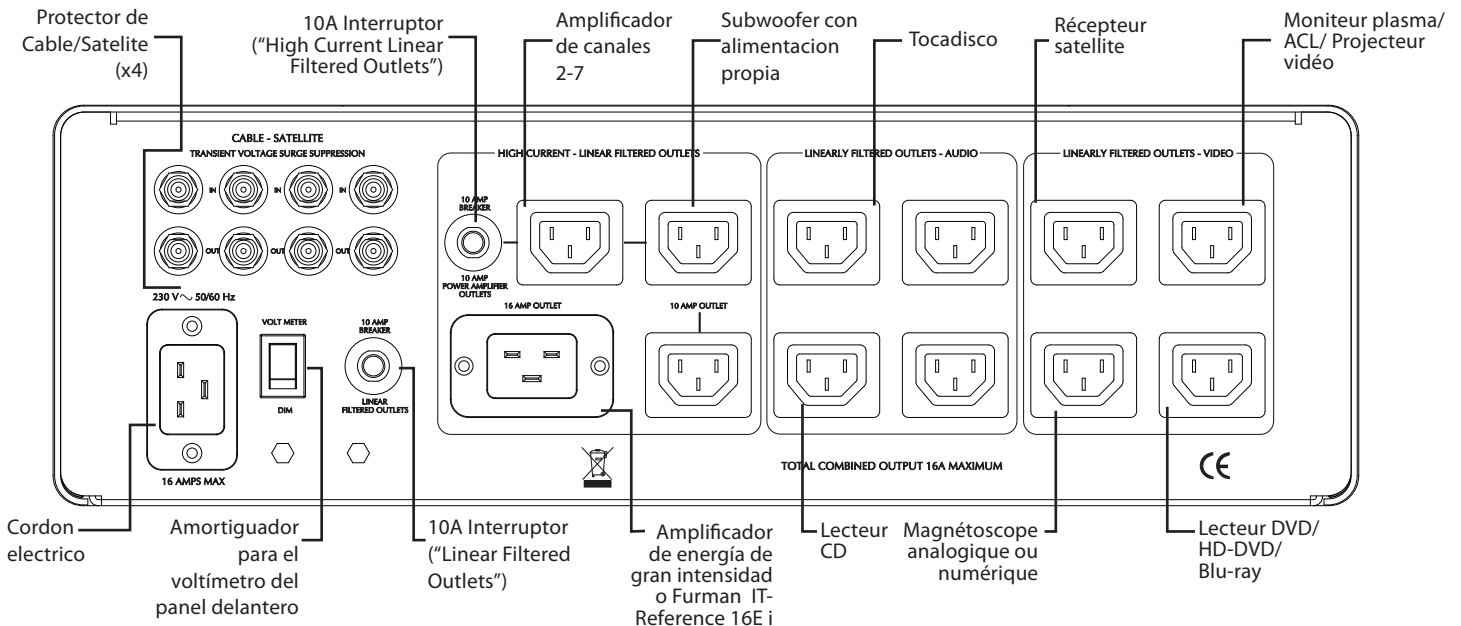
Conectando componentes al banco de poder de filtración linear del panel trasero

Los ocho paneles posteriores y un delantero SPR-16E i "Enchufes de Filtración de Energía" deben ser empleados por cualquier componente en los dos "Enchufes discretos de energía simétrico", con la excepción de receptores con amplificador o subwoofer. Sin embargo, estos ni otros enchufes aislados o simétricos poseen una filtración extraordinaria para maximizar el funcionamiento del sistema con la reducción del nivel de ruido extenso dentro de la CA.

Suave Comienzos El Continuo uso de la energía

Cuando la energía se aplica de primer SPR-16E i, (la palanca de la energía del triturador del panel delantero se debe cambiar a "on") la característica del suave comienzo estará activado. Cuando el SPR-16E i se ha encendido o apagado se escucha un sonido. Este sonido es producido por el circuito del comienzo suave de 30 amperios que engancha o que desune. No existe nada que sobre en el uso del SPR-16E i conforme a la construcción, el diseño, duración de vida del producto, y no hay drenaje de energía de su metro eléctrico del servicio aparte circuito del indicador de energía LED, seguridad de la protección del circuito GFCI. Por esta razón el SPR-16E i puede dejarse con su energía permanentemente como un bajo costo de centavos por mes. Esta es una ventaja mas, como muchas otras en audio/video filmes donde podemos encontrar una mejora significativa al dejar los componentes permanentemente accionados (encendido). De hecho, esta es la realidad del SPR-16E i. Imagina que el flawlessly funcionara desde su empaque, el funcionamiento de sus circuito mejorará aproximadamente después de dos semanas de continuo uso continuo.

Conexión Sugerida



Supresión transitoria de la oleada del voltaje de la CA y regulación extrema de voltaje

Indicador extremo de regulación de voltaje (Extreme Voltage)

Este LED normalmente esta apagado. Supervisa desperfectos del cableado del CA - por ejemplo, la conexión accidental a una entrada neutral. La EVS (Extreme Voltage Shutdown) detecta los voltajes que son tan altos que la operación sería imposible y cierra la energía baja antes de que los daños puedan ocurrir. En este caso inicialmente la aplicación de energía a estas unidades, el indicador extremo de voltaje LED se encenderá si el voltaje de entrada está sobre el atajo extremo del voltaje de corte o apagado, y la energía no será aplicada a los enchufes de la unidad. Si la unidad ha estado funcionando con un voltaje de entrada aceptable y ese voltaje excede posteriormente 275V, apagará energía al enchufe y el voltaje extremo LED se encenderá.

La protección correcta del Indicador (Protection OK)

Aunque el circuito de Furman SMP asegura virtualmente gratis la protección libre del mantenimiento contra puntos de voltaje transitorios y las oleadas, de vez en cuando la naturaleza tiene una manera de crear las fuerzas eléctricas que están más allá de las capacidades de cualquier dispositivo transitorio de la supresión de la oleada del voltaje al absorber sin un cierto grado de daño. En el caso extraordinario raro que ocurre esto, el LED azul situado en el centro del panel delantero lo amortiguará totalmente, aunque la CA está presente en las salidas de la unidad. Si sucede esto, seguirá habiendo un cierto nivel de protección contra oleadas del voltaje, pero el grado del voltaje del Furman que afianza será comprometido. La unidad desenvolverá el sonido de Furman, o a un centro de servicio autorizado de Furman para la reparación de la unidad.

NOTA: Si la alimentación principal está sobre el alto nivel de voltaje ha hecho que la unidad quite la energía de sus enchufes, no puede restaurar la energía sin el operador manual se encuentra apagado, después encienda de nuevo. Evite tener la unidad de nuevo encendido, sin haber comprobado la fuente del problema, y quizás cambiar la fuente de AC.

Satélite – Supresor de Voltaje

El SPR-16E i para las líneas del cable o del satélite que utilizan los conectadores coaxiales estándares. Pues estos supresores de oleada están en línea, y requerirán un cable adicional para conectar la salida con el dispositivo del control que requiere los supresores de oleada en línea de protección.

Nosotros ofrecemos tecnología libre de la contaminación de tierra exclusiva. Esto ayuda en la eliminación del zumbido audio, y ronquido-barras en video que pueden resultar de los supresores en línea típicos. Además, nuestro cable y supresores del satélite son TiVO® - DVR buenos así como la televisión HD-Digital. Ambas DC poseen buena señal, así como alta señal de banda pueden que pueden pasar a través de nuestro circuito. La anchura de la banda es menos que 0.1dB menos de 1GHz Para conectar su cableado con estos protectores en línea, siga simplemente lo de dentro y fuera de las indicaciones marcadas al lado de los conectadores de del cable y del satélite.

Nota: No es posible hacer un protector en línea del satélite “virtualmente libre de mantenimiento” como lo hemos logrado con la línea de 230 VAC. Esto haría necesario la anchura de banda limitada de la señal que no permitiría pasar la señal. Bajo condiciones extremas, es posible que la supresión de la oleada en uno de estos dispositivos pudiera sacrificarse después de un acontecimiento catastrófico. Si la señal del teléfono no requiere ya no pasara a través de nuestro protector, entre en contacto por favor con su representante o delegado técnico, o servidor Furman. Puesto que estos circuitos son modulares, el reemplazo se puede lograr en segundos con un módulo nuevo de TVSS. Para probar esto, desconecte simplemente el entrante y afuera del cable donde va el SPR-16E i. Conecte el conectador entrante con el componente que recibió antes del conectador que iba de salida, así transmitiendo la protección en línea. Si la señal está presente (pero no cuando está utilizado con el SPR-16E i) entonces se dañó el circuito de protección (se asume que lo trabajó correctamente antes de una tormenta o de un acontecimiento catastrófico).

Garantía

Furman Sound, LLC garantiza la compra original de este producto, el Furman SPR-16E i, este producto estará libre de defecto de material o mano de obra por un periodo de 5 años desde la fecha de compra. Se le es permitido al comprador del producto que a los 7 días de la compra complete su registro de garantía por mail o en línea en el website de Furman. Si el comprador no cumple con el registro ya mencionado, el periodo de garantía será reducido a un año de garantía a partir de la fecha de compra.

Si el producto no cumple con esta garantía limitada durante el periodo de la garantía (como ha sido especificado anteriormente), el comprador notificará a Furman por escrito de los defectos. Si los defectos son causados por la naturaleza, los cuales están cubiertos por dicha garantía, Furman autorizará al comprador devolver el producto a la fábrica de Furman o a una localización autorizada por Furman para su reparación. Las demandas de la garantía se deben acompañar por una copia original de la factura por la compra que demuestre la fecha de la adquisición; esto no es necesario si el registro de la garantía fue completado por correo enviando la tarjeta terminada de la garantía o colocándose en línea en el Web site de Furman. Los envíos que se hacen llegar a la fábrica de Furman o a una localización autorizada para la reparación del equipo deben ser pagados por adelantado por el comprador del producto. Furman en su propio costo, enviara un producto de reemplazo o, reparará el producto defectuoso. Las cargas de entrega a de la nueva unidad serán pagadas por Furman.

GARANTIA DE EQUIPO CONECTADO: Furman se reserva el derecho de reparar el producto dañado por alto voltaje en transito, siempre y cuando este haya estado conectado correctamente al Furman SPR-16E i y este a su vez se encuentre conectada a una protección de tierra fuera de la ubicación. La garantía para el equipo Furman que se encontraba conectado se limita a la cantidad del deducible del seguro del comprador hasta \$500.00. En orden de poder hacer posible el reclamo de garantía por este equipo el comprador deberá enviar una copia de su seguro personal, reclamar por los daños del equipo conectado, y el lugar donde el daño haya sido causado y llenar el formulario de reclamote garantía por equipo conectado (llamar al teléfono (707) 763-1010 para obtener el formulario). El cliente se hará cargo de todos los costos del envío del equipo a fábrica para su inspección. El equipo dañado deberá permanecer en inspección hasta que el trámite de reclamo finalice. La garantía para el equipo conectado es también de cinco años a menos que el comprador no llene el registro en un tiempo de quince días hábiles después de la compra, si esto sucede el periodo de garantía se reduce a un año a partir de la compra.

Todas las garantías anteriormente explicadas serán nulas si: el protector después de dañado no es reportado a Furman para su inspección, Furman determinara si el protector ha sido abierto, o ha sido instalado incorrectamente, alterado de cualquier manera o tratado de forzarlo, si el equipo conectado no fue utilizado bajo condiciones de funcionamiento normales o de acuerdo con las instrucciones del fabricante para conectar el equipo. Todos los protectores Furman se deben conectar correcta y directamente en una línea de energía de CA. No se permite dos o tres adaptadores enchufados a los cables de CA son la lengüeta de tierra fuera. Cualquier instalación mala anula esta garantía. La garantía de Furman protege solamente contra daño del equipo ya sea correctamente conectado donde Furman ha determinado, en su discreción única, que el daño resultó de una ocurrencia y no protege contra actos de Dios (con excepción del relámpago) por ejemplo la inundación, el terremoto, guerra, terrorismo, vandalismo, hurto, normal uso, el desgaste y rasgón, erosión, agotamiento, obsolescencia, abuso, daño debido a los disturbios de baja tensión (es decir los brownouts o las holguras), programa no autorizados, modificación o alteración del equipo de sistema. No utilice este producto con un generador, un calentador, una bomba de aceite, un dispositivo agua-relacionado, un dispositivo de vida, un dispositivo médico, un automóvil, una motocicleta, o un cargador de batería del carro de golf. Debe ser utilizado dentro y solamente en áreas secas.

EL PRECEDENTE ESTÁ DISPONIBLE AL IGUAL QUE EL RESTO DE LAS GARANTÍAS, EXPRESS O IMPLICADO, INCLUYENDO PERO NO LIMITANDO A LAS GARANTÍAS IMPLICADAS DE MERCANTIBILIDAD Y DE LA APTITUD PARA UN PROPÓSITO PARTICULAR. Furman no garantiza contra los daños o los defectos resultantes de uso anormal o incorrecto del producto; contra los defectos o los daños que se presentan de la instalación incorrecta, contra defectos en productos o componentes no fabricados por Furman, o contra daños resultando de tales productos o componentes que no sean hechos por Furman. Esta garantía será inválida sin previo aviso por Furman si el producto es modificado de cualquier manera. Esta garantía también no se aplica a los productos sobre los cuales las reparaciones han sido afectadas o procuradas por las personas con excepción conforme a la autorización escrita por Furman.

ESTA GARANTÍA ES EXCLUSIVA. La obligación única y exclusiva de Furman será reparar o sustituir el producto defectuoso durante el periodo de tiempo ya mencionado arriba. Furman no tendrá ninguna otra obligación con respecto a este producto, está basado en el contrato, agravio, responsabilidad terminante, o de otra manera. Bajo ningunas circunstancias, está basado en esta garantía limitada o de otra manera, Furman será obligado a hacerse cargo por los daños fortuitos, especiales, o consecuentes. Los empleados de Furman o los representantes DE FORMA ORAL U OTRAS DECLARACIONES ESCRITAS NO CONSTITUYEN GARANTÍAS, no serán confiados por el comprador, y no son una parte del contrato para la venta o esta garantía limitada. Esta garantía limitada indica la obligación entera de Furman respecto al producto. Si cualquier parte de esta garantía limitada se suprime o es ilegal, seguirá en efecto ajo las fuerzas y efectos completos.

Las demandas de la garantía se deben acompañar por una copia de la factura original de la compra que demuestra la fecha de la compra (si una tarjeta del registro de la garantía fue enviada por correo adentro estará la hora de compra y fecha del producto, por lo tanto, esto no es necesario). Antes de devolver cualquier equipo para la reparación, este seguro que está empacada y amortiguada adecuadamente contra daño en el envío, y que esto sea asegurado.

Especificaciones

Capacidad actual de CA

Entrada-16 amp. Capacidad requerida
Salida- 16 amp. RMS (19 amperios continuos 215VAC)

Regulación de voltaje de AC

Provee regulación de salida de voltaje continua de 230 VAC ($\pm 5.0V$ normalmente)

Atenuación del ruido linear

Modo Transversal (Diferencial)

DB >40 de 10Khz. a 100 kilociclos.

DB >80 a partir de 100 kilociclos. a 1GHz.

Curva linear de atenuación a partir de 0.05 - 100 ohms de línea impedancia)

Enchufes

1 (enchufes lineales 16A)

7 (enchufes lineales)

4 (enchufes lineales con filtro ultrasónico para componentes digitales o de video)

Supresión transitoria de la oleada del voltaje

230VAC línea

Serie gradual - No-Sacrificatoria con la contaminación de tierra cero

Pico 188V que afianza @ 6000V con abrazadera - 3000A entrado

Cable/satélite

Menos que la línea pérdida de .1dB

Rango de apagado

>275VAC ± 5 VAC

Dimensiones

152mm H x 432mm W x 413mm D (3RU estándar sin pies)

Peso

15.5 kg.

Consumo de energía

12 vatios para la independiente de los circuitos de la exhibición y de control de la carga real.

FURMAN

1690 Corporate Circle • Petaluma, California, USA 94954

Phone: 707-763-1010 • Fax: 707-763-1310

www.FurmanSound.com